



The Outdoor Collection

GE Monogram Outdoor Collection.



Dinner on the patio, a holiday cook-out, or a party at poolside: whatever the occasion, Monogram® outdoor cooking products make it more pleasurable. The Monogram Outdoor Collection presents stainless steel gas cooking centers designed for built-in or free-standing applications. Grill configurations range from the

simple to the sophisticated—from a 27" two-burner grill to a complete 48" cooking center that joins three grill sections with a rotisserie, a smoker, and an integrated dual-burner outdoor cooktop. A variety of accessories includes a dual-burner outdoor cooktop, stainless steel access doors for island installations and portable, stainless steel carts. This superb outdoor collection is brought to you by GE, a company with a distinguished history of product innovation.

In 1907, GE marketed the first full line of heating and cooking appliances in America.



It was GE that introduced the first successful residential refrigerator in 1927 and, in 1947, the first automatic clothes washer. An impressive series of product introductions followed, all of them industry "firsts": the self-cleaning oven; the built-in ice and water dispenser for refrigerators; the built-in microwave oven.

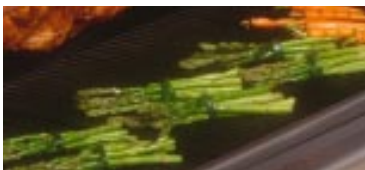


The goal that has always inspired and guided GE Appliances remains unchanged: to offer products unsurpassed in technology, performance and design. The Monogram Outdoor Collection, an extension of the striking line of Monogram kitchen appliances, clearly demonstrates the company's continuing commitment to excellence. This commitment is equally evident in the quality of service provided

to those who make Monogram outdoor products their own. The GE Answer Center, 800.626.2000, assists customers and consumers by telephone, 24 hours a day, every day. GE offers a host of other services, including product service delivered by the nation's largest network of factory-trained technicians. GE's exclusive Monogram Preferred Service package offers priority access to these and other services. Dialing 800.444.1845 connects you



with a Monogram Preferred Service Specialist who can coordinate a service appointment within 24 hours of your call. A superior line of outdoor cooking products, supported by a unique package of preferred services: This is the



Monogram Outdoor Collection. Reflecting the high standards of quality that distinguish Monogram kitchen appliances, the Monogram Outdoor Collection sets the stage for a lifetime of memorable outdoor entertaining.





ZGG48N42YSS 48" Outdoor Cooking Center, ZX2NYSS Dual Burner Outdoor Cooktop, ZXADYSS Built-In Access Door



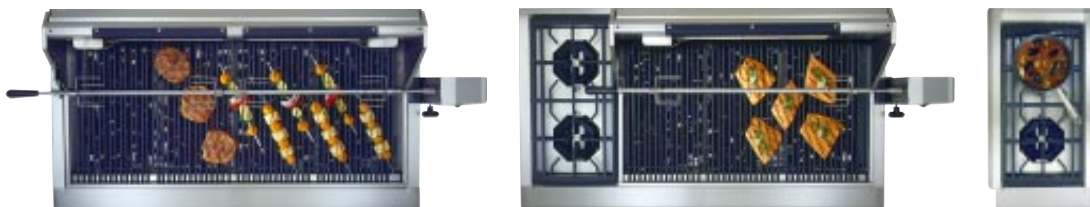


ZGG36N21YSS 36" Outdoor Cooking Center, ZXADYSS Built-In Access Door



GE Monogram Outdoor Cooking Centers

Grilling al fresco is all the more delightful with a Monogram outdoor cooking center. Monogram stainless steel gas grills are built to deliver both professional performance and appearance season after season. To assure optimal performance, cast-iron burners are porcelain-coated and are covered by a heat radiating, stainless steel tray that evenly distributes heat across the grilling surface. Porcelain-enameled grill racks are designed to retain heat and may be placed in a self-clean oven for effortless cleanup when the grilling is complete. Behind the motorized rotisserie, a ceramic infrared burner responds quickly to the turn of a knob, providing the intense heat required for searing meats or poultry. An independent, variable-temperature control activates the smoker burner that heats wood chips placed in a pull-out drawer, adding a rich, smoked flavor to foods prepared on the grill or rotisserie. A stainless steel, insulated cover is accented by a sleek, sturdy handle, and pulls down for closed grilling or smoking and protects the surface when the grill is not in use. To expand cooking flexibility, you may choose a cooking center with an integrated cooktop surface. The dual gas burners allow you to prepare side dishes while grilling the entrée. Each 15,000-BTU cooktop burner is topped with a cast-iron grate and a protective stainless steel cover.





ZGG36L31YSS 36" Outdoor Cooking Center, ZX36CTYSS 36" Cart

GE Monogram Outdoor Cooking Centers



The Monogram® line of outdoor cooking centers offers a variety of sizes and installation options, as well as an impressive array of performance features. These stainless steel 48", 36" and 27" gas grills can be mounted on a portable stainless steel cart or integrated into a custom-built island or enclosure. Grill burners are equipped with multi-spark igniters for easy lighting, and sturdy knobs glide through infinite settings from low to high, allowing precise control of the 20,000-BTU burners. Controls are mounted on brass valves to provide precise flame control and ensure long life in the outdoor environment. When one burner is ignited, the flame will light the adjacent burner if its control is on, eliminating the need to light each burner individually. Infrared rotisserie burners respond quickly with a dramatic red glow of heat. The burners are mounted behind the motorized rotisserie, making them immune to flare-ups that would occur if positioned below. A smoker burner is standard on all 36" and 48" grills, and an integrated dual-burner cooktop surface is offered in cooking centers of either size. The 15,000-BTU cooktop burners allow you to prepare side dishes while grilling, and a stainless steel cover protects them when not in use. To expand the cooking area, a separate dual-burner cooktop can be installed alongside built-in cooking centers or mounted on the 27" cart. At the base of the grill, a full-width stainless steel pan collects drippings, and slides out easily for removal and cleaning.



ZGG27L21YSS 27" Outdoor Cooking Center, ZX2LYSS Dual Burner Outdoor Cooktop, ZX27CTYSS 27" Cart

GE Monogram Outdoor Accessories

A full selection of grill accessories lets you expand upon the versatility offered by a Monogram® outdoor cooking center. Free-standing carts are offered in corresponding 48", 36" and 27" sizes for portable installation. The 36" and 48" carts feature fold-down shelves that provide extra space for cooking utensils or platters, and a shelf in the cabinet below for additional storage. Smooth-rolling wheels make placement simple, and locking casters ensure stability. For an outdoor island, stainless steel doors present a professional appearance and offer easy access to storage. The dual burner gas cooktop provides an additional cooking surface and is designed to complement any built-in cooking center or the 27" cart (*shown at left*). For built-in grill installations, an insulated jacket of stainless steel shields combustible cabinetry from contact with the sides and bottom of the grill. When the grill is not in use, a felt-lined vinyl cover helps keep the surface clean and protected from the elements.



GE Monogram 48" Outdoor Cooking Centers

Incorporating a variety of cooking technologies, a Monogram® 48" outdoor cooking center offers a multitude of grill and cooktop options. The gas grill may be mounted on a portable cart or installed in a permanent island or enclosure.

Heavy-duty grill racks. The heavy, heat-retaining grill racks are porcelain enameled for easy cleaning.

Burner baffles. Grill burners are baffled to reflect heat into the cooking zone. The baffles slope downward, directing drippings into a tray that slides out for removal and cleaning.

Rotary igniters. Burner igniters produce multiple sparks that fire up the grill quickly and dependably.

Sturdy, safe controls. Childproof, push-to-turn knobs rotate for precise control of burner output.

Brass valves. Burner controls are mounted on durable brass valves, ensuring long life in an outdoor environment.

Infrared rotisserie system. A ceramic 14,000 BTU infrared burner, mounted behind the motorized rotisserie, reaches cooking temperature in just 30 seconds, providing the intense heat needed for searing meats and poultry.

Built-in smoker system. Designed for hot or cold smoking, the built-in system includes an independent 5,000 BTU burner with variable temperature control and a slide-out drawer for wood chips. The smoldering chips impart a rich, woody flavor to foods prepared on the grill or rotisserie.

Slide-out drip tray. The stainless-steel drip tray below the grill and cooktop burners collects grease and spills and slides out for easy cleaning.



ZGG48N42YSS 48" gas grill with 4 grill burners, 2 rotisserie burners, 1 smoker (natural gas)

ZGG48L42YSS 48" gas grill with 4 grill burners, 2 rotisserie burners, 1 smoker (liquid propane)

Cast-iron grill burners. Four 20,000 BTU burners provide intense heat to the 924 sq. in. grilling area.

Dual rotisserie burners. Two rear-mounted ceramic burners are independently controlled, offering additional cooking versatility.

Also Available, Special Order Only:

ZGG48N40YSS 48" gas grill with 4 grill burners, 1 smoker (natural gas)

ZGG48L40YSS 48" gas grill with 4 grill burners, 1 smoker (liquid propane)



ZGG48N31YSS 48" gas grill with 3 grill burners, 1 rotisserie burner, 1 smoker, 2 cooktop burners (*natural gas*)

ZGG48L31YSS 48" gas grill with 3 grill burners, 1 rotisserie burner, 1 smoker, 2 cooktop burners (*liquid propane*)

Cast-iron grill burners. Three 20,000 BTU burners provide intense heat to the 693 sq. in. grilling area.

Two cast-iron cooktop burners. Two 15,000-BTU burners, with a cast iron grate and protective stainless steel cover, allow you to prepare side dishes while grilling the entrée.

Also Available, Special Order Only:

ZGG48N30YSS 48" gas grill with 3 grill burners, 1 smoker, 2 cooktop burners (*natural gas*)

ZGG48L30YSS 48" gas grill with 3 grill burners, 1 smoker, 2 cooktop burners (*liquid propane*)



GE Monogram 36" Outdoor Cooking Centers

A Monogram® 36" outdoor cooking center may be mounted on a portable cart or installed in a permanent island or enclosure. This self-contained cooking center allows you to prepare an entire meal at the grill.

Heavy-duty grill racks. Heavy, heat-retaining grill racks are porcelain enameled for easy cleaning.

Burner baffles. Grill burners are baffled to reflect heat into the cooking zone. The baffles slope downward, directing drippings into a tray that slides out for removal and easy cleaning.

Rotary igniters. Burner igniters provide multiple sparks that fire up the grill quickly and dependably.

Sturdy, safe controls. Childproof, push-to-turn knobs rotate for precise control of burner output.

Brass valves. Burner controls are mounted on durable brass valves, ensuring long life in an outdoor environment.

Infrared rotisserie system. A ceramic infrared burner, mounted behind the motorized rotisserie, reaches cooking temperature in just 30 seconds, providing the intense heat needed for searing meats and poultry.

Built-in smoker system. Designed for hot or cold smoking, the built-in system includes an independent 5,000 BTU burner with variable temperature control and a slide-out drawer for wood chips. The smoldering chips impart a rich, woody flavor to foods prepared on the grill or rotisserie.

Slide-out drip tray. The stainless-steel drip tray below the grill and cooktop burners collects grease and spills and slides out for easy cleaning.



ZGG36N31YSS 36" gas grill with 3 grill burners, 1 rotisserie burner, 1 smoker (*natural gas*)

ZGG36L31YSS 36" gas grill with 3 grill burners, 1 rotisserie burner, 1 smoker (*liquid propane*)

Cast-iron grill burners. Three 20,000 BTU burners provide intense heat to the 693 sq. in. grilling area.

Also Available, Special Order Only:

ZGG36N30YSS 36" gas grill with 3 grill burners, 1 smoker (*natural gas*)

ZGG36L30YSS 36" gas grill with 3 grill burners, 1 smoker (*liquid propane*)



ZGG36N21YSS 36" gas grill with 2 grill burners, 1 rotisserie burner, 1 smoker, 2 cooktop burners (*natural gas*)

ZGG36L21YSS 36" gas grill with 2 grill burners, 1 rotisserie burner, 1 smoker, 2 cooktop burners (*liquid propane*)

Cast-iron grill burners. Three 20,000 BTU burners provide intense heat to the 462 sq. in. grilling area.

Two cast-iron cooktop burners. Two 15,000-BTU burners, with a cast iron grate and protective stainless steel cover, allow you to prepare side dishes while grilling the entrée.

Also Available, Special Order Only:

ZGG36N20YSS 36" gas grill with 2 grill burners, 1 smoker, 2 cooktop burners (*natural gas*)

ZGG36L20YSS 36" gas grill with 2 grill burners, 1 smoker, 2 cooktop burners (*liquid propane*)



GE Monogram 27" Outdoor Cooking Centers

A GE Monogram® 27" outdoor cooking center may be mounted on a portable cart or installed in a permanent island or enclosure.

Burner baffles. Grill burners are baffled to reflect heat into the cooking zone. The baffles slope downward, directing drippings into a tray that slides out for removal and cleaning.

Heavy-duty grill racks. The heavy, heat-retaining grill racks are porcelain enameled for easy cleaning.

Rotary igniters. Burner igniters provide multiple sparks that fire up the grill quickly and dependably.

Sturdy, safe controls. Childproof, push-to-turn knobs rotate for precise control of burner output.

Brass valves. Burner controls are mounted on durable brass valves, ensuring long life in an outdoor environment.

Infrared rotisserie system. A ceramic 14,000 BTU infrared burner, mounted behind the motorized rotisserie, reaches cooking temperature in just 30 seconds, providing the intense heat needed for searing meats and poultry.

Slide-out drip tray. The stainless-steel drip tray below the grill burners collects grease and spills and slides out for easy cleaning.

Cast-iron grill burners. Two 20,000 BTU burners provide intense heat to the 515 sq. in. grilling area.



ZGG27N21YSS 27" gas grill with 2 grill burners, 1 rotisserie burner (*natural gas*)

ZGG27L21YSS 27" gas grill; 2 grill burners, 1 rotisserie burner (*liquid propane*)

Also Available, Special Order Only:

ZGG27N20YSS 27" gas grill with 2 grill burners (*natural gas*)

ZGG27L20YSS 27" gas grill with 2 grill burners (*liquid propane*)

GE Monogram Outdoor Cooktops

A Monogram outdoor cooktop provides an additional area for preparing side dishes and sauces.

Dual burners. The double-burner gas cooktop provides an additional cooking surface.

Cast iron burners. The spark-ignition burners are 15,000 BTU-rated, and come with a removable stainless steel cover that doubles as a work surface. Burners are baffled to reflect heat into the cooking area.

Infinite control. Childproof, push-to-turn knobs rotate for precise control of burner output.

Precision brass valves. Controls are mounted on durable, brass valves that resist rust and corrosion, ensuring long life in an outdoor environment.

Drip pan. The full-width stainless steel pan slides out easily for removal and cleaning.

Versatile installation. The dual-burner cooktops are designed to be built-in or added to the 27" cart.



ZX2NYSS Dual burner outdoor cooktop (*natural gas*)

ZX2LYSS Dual burner outdoor cooktop (*liquid propane*)

GE Monogram Outdoor Cooking Center Accessories

Carts

Monogram® stainless-steel carts offer the flexibility of a portable outdoor cooking center when a built-in installation is not desired.

Fold-down shelf. Fold-down side shelves on 48" and 36" carts extend workspace and provide extra room for cooking utensils.

Inside storage. A shelf in the cabinet of the 48" and 36" carts provides additional storage.

Mobility. Smooth-rolling wheels make it easy to position the grill for convenience and efficiency. Casters lock in place to ensure a stable cooking area.



ZX48CTYSS 48" Cart



ZX36CTYSS 36" Cart



ZX27CTYSS 27" Cart

These Monogram® outdoor accessories are designed to complement built-in installations and provide protection against the elements.

Storage Area Doors

ZXADYSS Doors for built-in island or enclosure

Stainless steel. The access doors are made of 304 stainless steel, to coordinate with any Monogram outdoor cooking center.

Secure closing. A positive latch ensures flush and secure closure.

Large opening. Doors in the open position provide a full view and easy access to the storage area.

Vinyl Covers

Rugged and soft. The durable vinyl exterior withstands the elements, and the soft, felt lining helps protect the surface of the outdoor cooking center.

Custom-tailored. Covers are customized to the design of each Monogram outdoor cooking center and specifically to a built-in or portable installation. Please review the specification charts for cover options.

Insulated Jackets

ZX48JYSS Insulated jacket for 48" cooking centers

ZX36JYSS Insulated jacket for 36" cooking centers

ZX27JYSS Insulated jacket for 27" cooking centers

ZX2JYSS Insulated jacket for dual burner outdoor cooktop

Safety shield. The insulated jacket shields combustible cabinetry from the heat generated by the grill or dual-burner cooktop.

Stainless steel construction. 304 stainless steel provides strength, stability, and durability.

High-quality insulation. The protective jacket is filled with rigid insulation that prevents bowing or sagging.

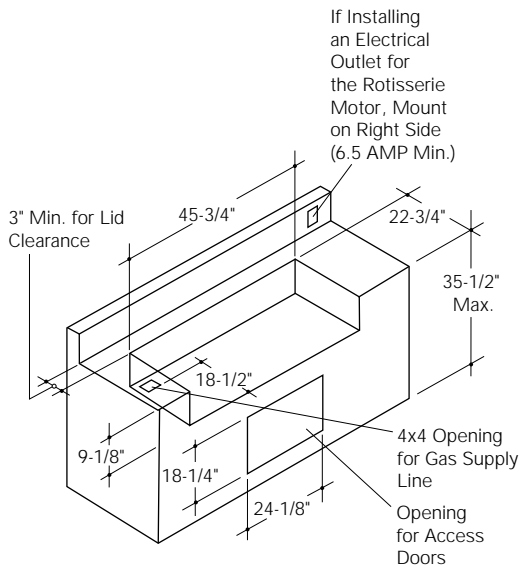
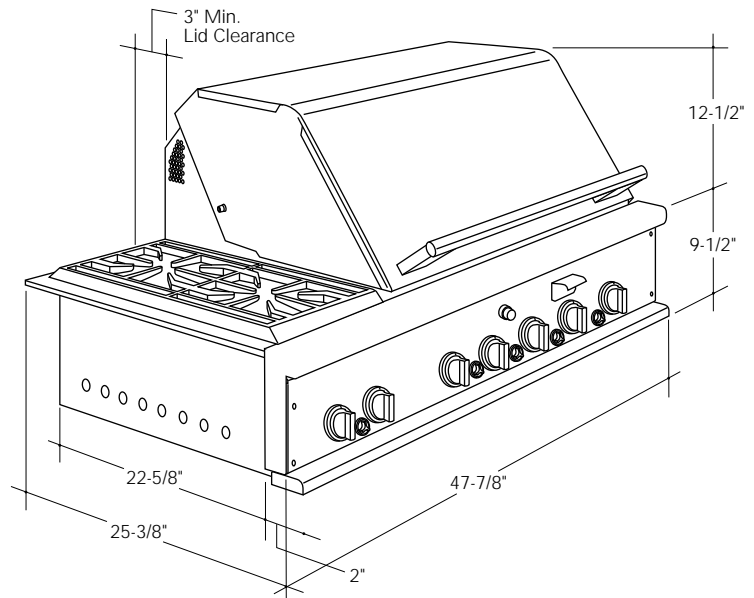


GE Monogram 48" Outdoor Cooking Centers

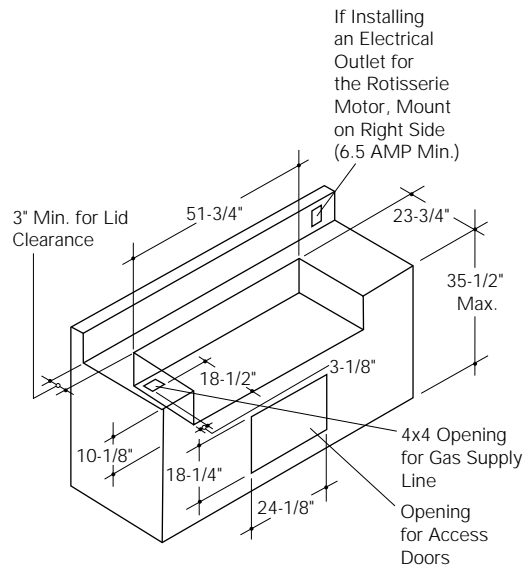
ZGG48N42YSS, ZGG48L42YSS, ZGG48N40YSS, ZGG48L40YSS, ZGG48N31YSS, ZGG48L31YSS, ZGG48N30YSS and ZGG48L30YSS 48" Outdoor Cooking Centers

Note: Reference pub. no. 49-8843, Monogram Outdoor Cooking Center Installation Instructions, for complete details.

Reference pub. no. 49-8841, Monogram Outdoor Cooking Center Cart Installation Instructions, for complete details.



For installation using non-combustible materials.



For installation using combustible materials.
Requires ZX48JYSS insulated jacket.

GE Monogram 48" Outdoor Cooking Centers

	ZGG48N42YSS ZGG48L42YSS	ZGG48N40YSS* ZGG48L40YSS*	ZGG48N31YSS ZGG48L31YSS	ZGG48N30YSS* ZGG48L30YSS*	ZX2NYSS ZX2LYSS
Description					
	48" Outdoor Cooking Center with 4 Grill Burners, 2 Rotisserie Burners	48" Outdoor Cooking Center with 4 Grill Burners	48" Outdoor Cooking Center with 3 Grill Burners, 2 Cooktop Burners, 1 Rotisserie Burner	48" Outdoor Cooking Center with 3 Grill Burners, 2 Cooktop Burners	Dual Burner Outdoor Cooktop
Performance					
20,000 BTU Cast-Iron Gas Grill Burners	4	4	3	3	
14,000 BTU Infrared Gas Rotisserie Burner	2		•		
5,000 BTU Cast-Iron Gas Smoker Burner	•	•	•	•	
15,000 BTU Cast-Iron Gas Cooktop Burners			2	2	2
Brass Control Valves	•	•	•	•	•
Rotary Multi-Spark Piezo Ignition	•	•	•	•	•
Convenience					
Steel, Porcelain-Enameled Grill Grates	•	•	•	•	
Cast-Iron, Porcelainized Cooktop Burner Grates			•	•	•
Stainless-Steel, Slide-Out Drip Tray	•	•	•	•	•
Appearance					
Color Appearance	Stainless-Steel	Stainless-Steel	Stainless-Steel	Stainless-Steel	Stainless-Steel
Stainless-Steel Cooktop Burner Cover			•	•	•
Accessories					
Trim Kit for Built-In Installation	N/A	N/A	N/A	N/A	ZX2TKYSS
ZXADYSS Stainless-Steel Doors for Built-In Installation	•	•	•	•	
Insulated Jacket	ZX48JYSS	ZX48JYSS	ZX48JYSS	ZX48JYSS	ZX2JYSS
Stainless-Steel Cart	ZX48CTYSS	ZX48CTYSS	ZX48CTYSS	ZX48CTYSS	
Order ZXLPY LP Gas Tank	•	•	•	•	
72" Quick Disconnect Hose for Natural Gas	ZX72HKY	ZX72HKY	ZX72HKY	ZX72HKY	
Felt-Lined Vinyl Cover for Built-In Installations	ZX48CV4Y	ZX48CV4Y	ZX48CV3Y	ZX48CV3Y	
Felt-Lined Vinyl Cover for Portable Installations	ZX48CVCY	ZX48CVCY	ZX48CVCY	ZX48CVCY	
General Features					
Fuel Configuration	Natural Gas LP Gas	Natural Gas LP Gas	Natural Gas LP Gas	Natural Gas LP Gas	Natural Gas LP Gas
Overall Dimensions (WxHxD in inches)	47-7/8 x 22 x 22-5/8	47-7/8 x 22 x 22-5/8	47-7/8 x 22 x 22-5/8	47-7/8 x 22 x 22-5/8	13 x 10-1/2 x 23-3/4
Total Grill Area (sq. in.)	924	924	693	693	
120 Volt Rotisserie Motor	•		•		
Approx. Shipping Weight (lbs.)	330	320	300	290	56
Full One-Year Warranty**	•	•	•	•	•
Additional 4-Year Warranty**	•	•	•	•	•

*Special order only.

**See written warranty for details.

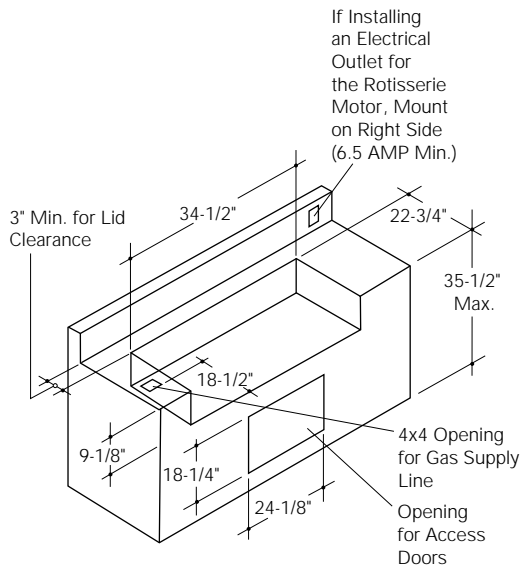
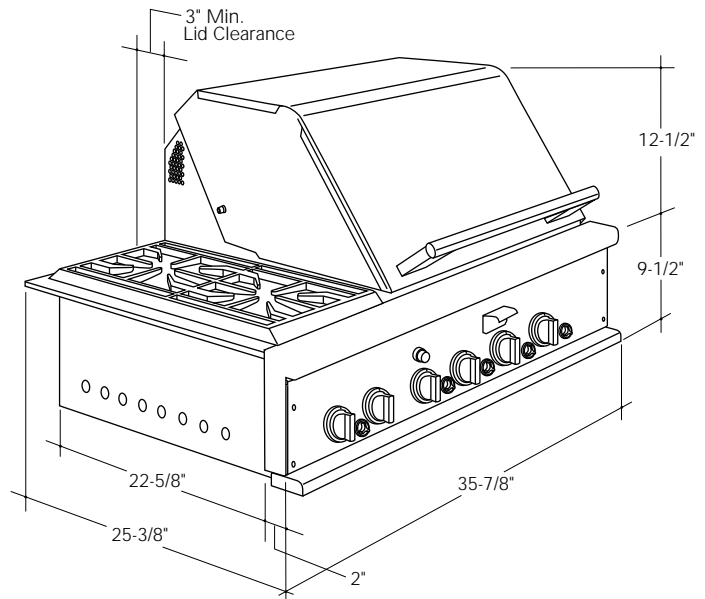


GE Monogram 36" Outdoor Cooking Centers

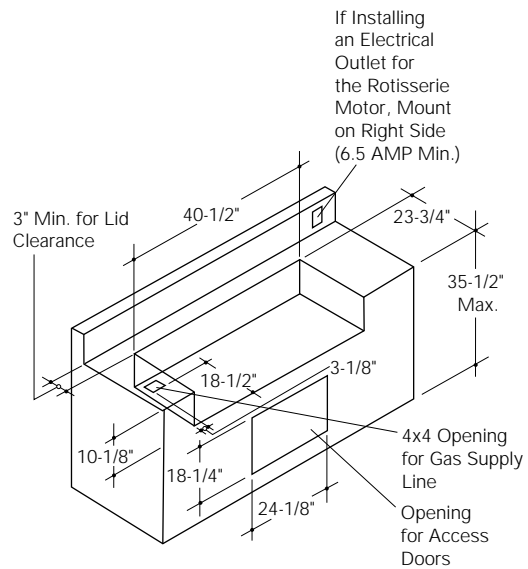
ZGG36N31YSS, ZGG36L31YSS, ZGG36N30YSS, ZGG36L30YSS, ZGG36N21YSS, ZGG36L21YSS, ZGG36N20YSS and ZGG36L20YSS 36" Outdoor Cooking Centers

Note: Reference pub. no. 49-8843, Monogram Outdoor Cooking Center Installation Instructions, for complete details.

Reference pub. no. 49-8841, Monogram Outdoor Cooking Center Cart Installation Instructions, for complete details.



For installation using non-combustible materials.



For installation using combustible materials. Requires ZX36JYSS insulated jacket.

GE Monogram 36" Outdoor Cooking Centers

	ZGG36N31YSS ZGG36L31YSS	ZGG36N30YSS* ZGG36L30YSS*	ZGG36N21YSS ZGG36L21YSS	ZGG36N20YSS* ZGG36L20YSS*	ZX2NYSS ZX2LYSS
Description					
	36" Outdoor Cooking Center with 3 Grill Burners, 1 Rotisserie Burner	36" Outdoor Cooking Center with 3 Grill Burners	36" Outdoor Cooking Center with 2 Grill Burners, 2 Cooktop Burners, 1 Rotisserie Burner	36" Outdoor Cooking Center with 2 Grill Burners, 2 Cooktop Burners	Dual Burner Outdoor Cooktop
Performance					
20,000 BTU Cast-Iron Gas Grill Burners	3	3	2	2	
14,000 BTU Infrared Gas Rotisserie Burner	•		(13,500 BTU)		
5,000 BTU Cast-Iron Gas Smoker Burner	•	•	•	•	
15,000 BTU Cast-Iron Gas Cooktop Burners			2	2	2
Brass Control Valves	•	•	•	•	•
Rotary Multi-Spark Piezo Ignition	•	•	•	•	•
Convenience					
Steel, Porcelain-Enameled Grill Grates	•	•	•	•	
Cast-Iron, Porcelainized Cooktop Burner Grates			•	•	•
Stainless-Steel, Slide-Out Drip Tray	•	•	•	•	•
Appearance					
Color Appearance	Stainless-Steel	Stainless-Steel	Stainless-Steel	Stainless-Steel	Stainless-Steel
Stainless-Steel Cooktop Burner Cover			•	•	•
Accessories					
Trim Kit for Built-In Installation	N/A	N/A	N/A	N/A	ZX2TKYSS
ZXADYSS Stainless-Steel Doors for Built-In Installation	•	•	•	•	
Insulated Jacket	ZX36JYSS	ZX36JYSS	ZX36JYSS	ZX36JYSS	ZX2JYSS
Stainless-Steel Cart	ZX36CTYSS	ZX36CTYSS	ZX36CTYSS	ZX36CTYSS	
Order ZXLPY LP Gas Tank	•	•	•	•	
72" Quick Disconnect Hose for Natural Gas	ZX72HKY	ZX72HKY	ZX72HKY	ZX72HKY	
Felt-Lined Vinyl Cover for Built-In Installations	ZX36CV3Y	ZX36CV3Y	ZX36CV2Y	ZX36CV2Y	
Felt-Lined Vinyl Cover for Portable Installations	ZX36CVCY	ZX36CVCY	ZX36CVCY	ZX36CVCY	
General Features					
Fuel Configuration	Natural Gas LP Gas	Natural Gas LP Gas	Natural Gas LP Gas	Natural Gas LP Gas	Natural Gas LP Gas
Overall Dimensions (WxHxD in inches)	35-7/8 x 22 x 22-5/8	35-7/8 x 22 x 22-5/8	35-7/8 x 22 x 22-5/8	35-7/8 x 22 x 22-5/8	13 x 10-1/2 x 23-3/4
Total Grill Area (sq. in.)	693	693	462	462	
120 Volt Rotisserie Motor	•		•		
Approx. Shipping Weight (lbs.)	250	240	250	240	56
Full One-Year Warranty**	•	•	•	•	•
Additional 4-Year Warranty**	•	•	•	•	•

*Special order only.
**See written warranty for details.

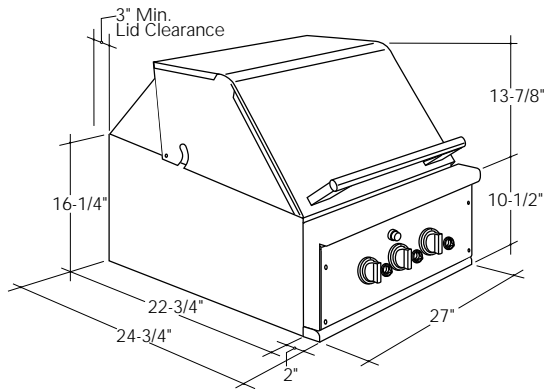


GE Monogram 27" Outdoor Cooking Centers

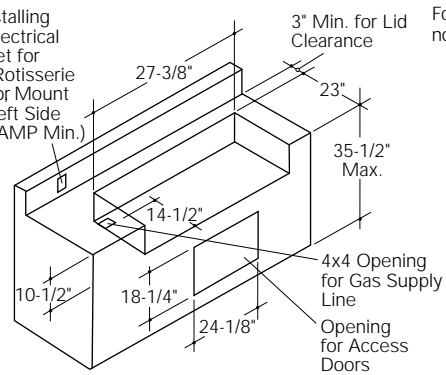
ZGG27N21YSS, ZGG27L21YSS, ZGG27N20YSS and ZGG27L20YSS 27" Outdoor Cooking Centers

Note: Reference pub. no. 49-8843, Monogram Outdoor Cooking Center Installation Instructions, for complete details.

Reference pub. no. 49-8840, Monogram Outdoor Cooking Center Cart Installation Instructions, for complete details.

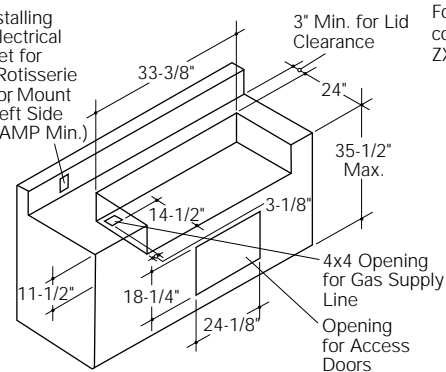


If Installing an Electrical Outlet for the Rotisserie Motor Mount on Left Side (6.5 AMP Min.)



For installation using non-combustible materials.

If Installing an Electrical Outlet for the Rotisserie Motor Mount on Left Side (6.5 AMP Min.)

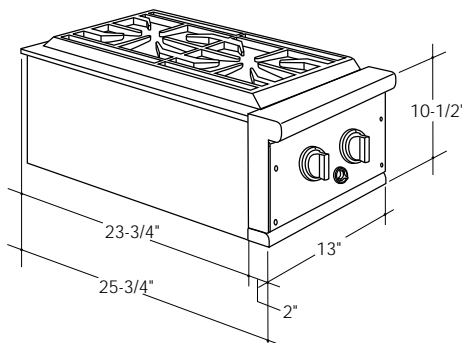


For installation using combustible materials. Requires ZX27JYSS insulated jacket.

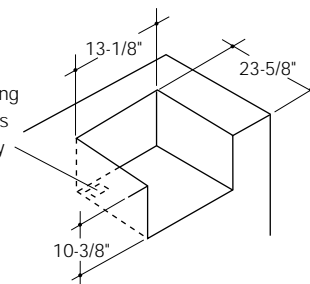
GE Monogram Dual Burner Outdoor Cooktops

ZX2NYSS and ZX2LYSS Dual Burner Outdoor Cooktops

Note: Reference pub. no. 49-8842, Monogram Outdoor Cooktop Installation Instructions, for complete details.

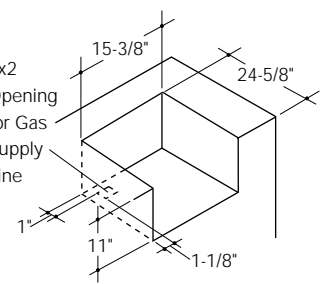


2x2 Opening for Gas Supply Line



For installation using non-combustible materials.

2x2 Opening for Gas Supply Line



For installation using combustible materials. Requires ZX2JYSS insulated jacket.

GE Monogram 27" Outdoor Cooking Centers

	ZGG27N21YSS ZGG27L21YSS	ZGG27N20YSS* ZGG27L20YSS*	ZX2NYSS ZX2LYSS
Description			
	27" Outdoor Cooking Center with 2 Grill Burners, 1 Rotisserie Burner	27" Outdoor Cooking Center with 2 Grill Burners	Dual Burner Outdoor Cooktop
Performance			
20,000 BTU Cast-Iron Gas Grill Burners	2	2	
14,000 BTU Infrared Gas Rotisserie Burner	•		
15,000 BTU Cast-Iron Gas Cooktop Burners			2
Brass Control Valves	•	•	•
Rotary Multi-Spark Piezo Ignition	•	•	•
Convenience			
Steel, Porcelain-Enameled Grill Grates	•	•	
Cast-Iron, Porcelainized Cooktop Burner Grates			•
Stainless-Steel, Slide-Out Drip Tray	•	•	•
Appearance			
Color Appearance	Stainless-Steel	Stainless-Steel	Stainless-Steel
Stainless-Steel Cooktop Burner Cover			•
Accessories			
Trim Kit for Built-In Installation	ZX27TKYSS	ZX27TKYSS	ZX2TKYSS
ZXADYSS Stainless-Steel Doors for Built-In Installation	•	•	
Insulated Jacket	ZX27JYSS	ZX27JYSS	ZX2JYSS
Stainless-Steel Cart	ZX27CTYSS	ZX27CTYSS	
Order ZXLPY LP Gas Tank	•	•	
72" Quick Disconnect Hose for Natural Gas	ZX72HKY	ZX72HKY	
Felt-Lined Vinyl Cover for Built-In Installations	ZX27CV2Y	ZX27CV2Y	
Felt-Lined Vinyl Cover for Portable Installations	ZX27CVCY	ZX27CVCY	
General Features			
Fuel Configuration	Natural Gas LP Gas	Natural Gas LP Gas	Natural Gas LP Gas
Overall Dimensions (WxHxD in inches)	27 x 24-3/8 x 22-3/4	27 x 24-3/8 x 22-3/4	13 x 10-1/2 x 23-3/4
Total Grill Area (sq. in.)	515	515	
120 Volt Rotisserie Motor	•		
Approx. Shipping Weight (lbs.)	135	130	56
Full One-Year Warranty**	•	•	•
Additional 4-Year Warranty**	•	•	•

*Special order only.

**See written warranty for details.



Exceptional service is a standard feature.

Monogram® offers a feature no other brand can match: customized services that begin even before you select your Monogram outdoor cooking center. And the services continue, season after season. The Monogram Outdoor Collection, a superb line of outdoor appliances, with a package of services to match.

GE Answer Center® 800.626.2000. For technical assistance and answers to your questions about GE Monogram appliances any time.

GE Monogram Preferred Service, 800.444.1845. Connects you with a specialist who can schedule a service call within 24 hours.

Visit <http://www.monogram.com>. To view Monogram specifications, installation information and owner's manuals online.

GE QuickSpecs, 800.432.3729. To request dimensions and specifications on any GE Monogram appliance, and have the data transmitted, within minutes, to the fax number you provide.



*General Electric Company
Louisville, Kentucky 40225*

*All Monogram products
are appropriately UL or
AGA approved.*

*Product improvement is
a continuing endeavor at
General Electric. Therefore,
materials, appearance and
specifications are subject
to change without notice.*

Publication Number 24-M087-1