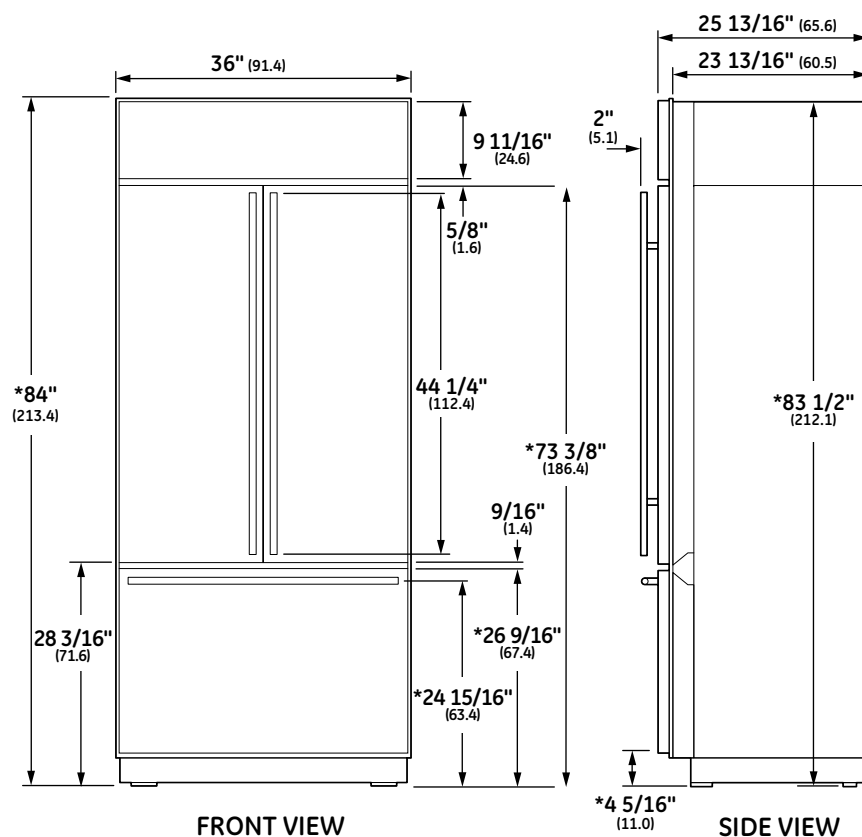




OVERALL DIMENSIONS



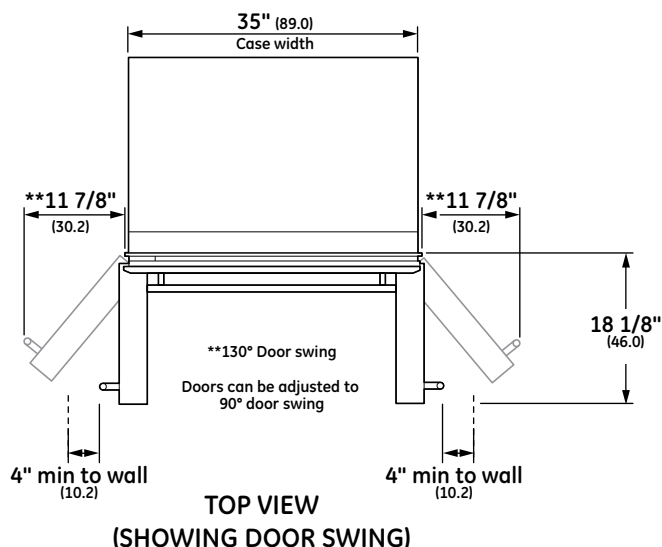
*Shipping height. Use leveling legs and wheels for maximum 1" height adjustment from shipping height.

SPECIFICATIONS

Overall Width	36" (91.4 cm)
Overall Height	84" (213.4 cm)
Overall Depth	25 13/16" (65.6 cm)
Door Clearance	18 1/8" (46 cm)
Cutout Width	35 1/2" (90.2 cm)
Cutout Height	84" (213.4 cm)
Cutout Depth	24" (61 cm)
Electrical Requirements	115 V AC, 60 Hz 20 amp circuit
Plumbing Requirements	1/4" OD copper tubing or GE SmartConnect kit
Shipping Weight	646 lb

ATTENTION ELECTRICIAN:

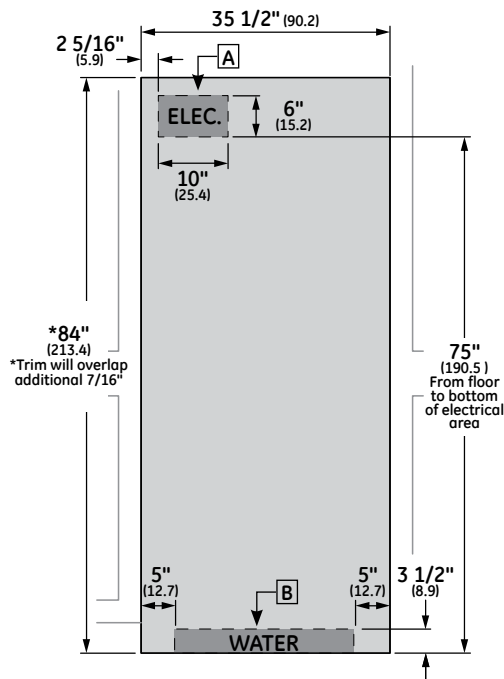
A 115 volt 60Hz., 15 or 20 amp power supply is required. An individual properly grounded branch circuit or circuit breaker is recommended. Install a properly grounded 3-prong electrical receptacle recessed into the back wall.



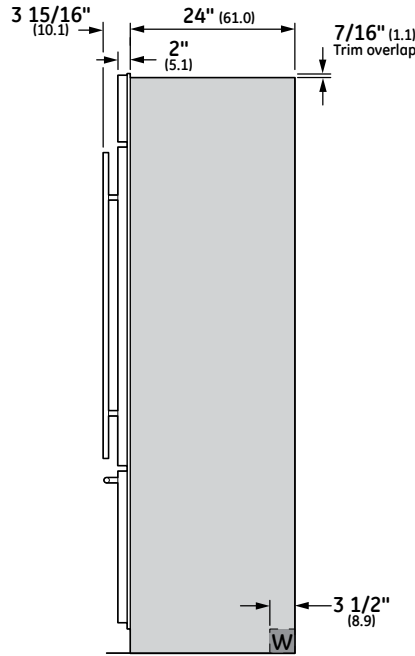
Dimensions in parentheses are in centimeters unless otherwise noted. Actual product dimensions may vary due to manufacturing tolerances.



STANDARD INSTALLATION



FRONT VIEW

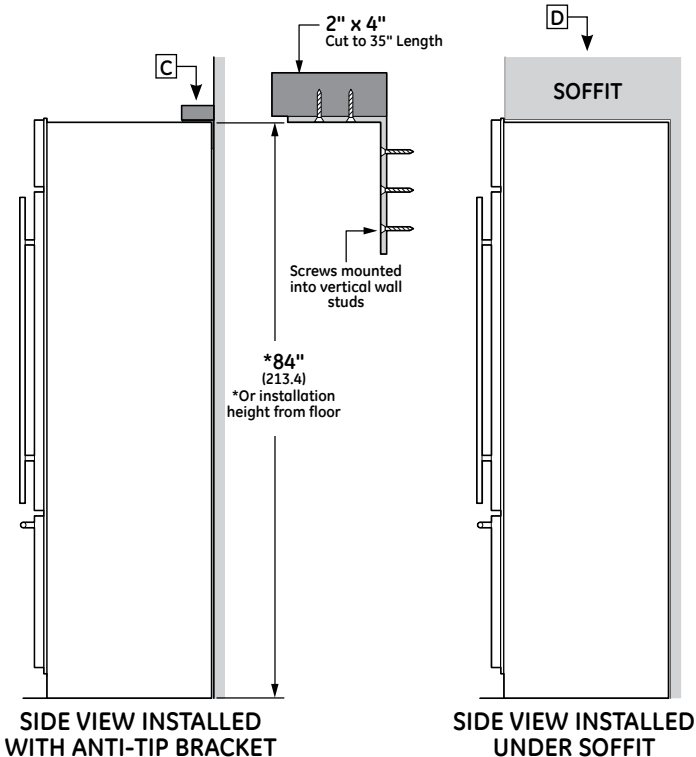


SIDE VIEW

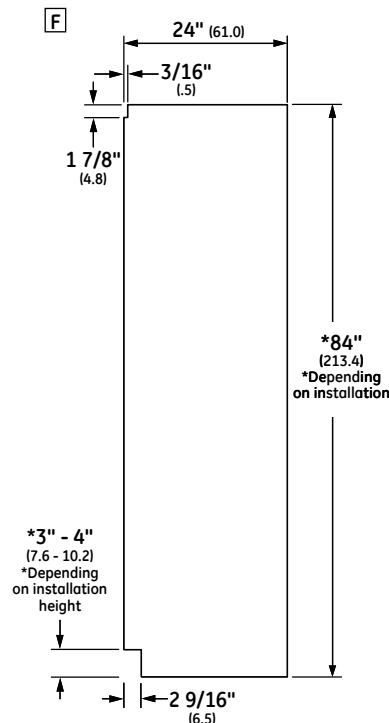
NOTES

- A** Mounting the junction box in this location will also allow for front accessibility through access panel.
- B** Water supply area
- C** The refrigerator is top heavy and must be secured to prevent the possibility of tilting forward.
 - Cut a 2" x 4" block, 35" long and secure the block to the mounting brackets provided using #12 or #14 wood screws.
 - Secure the bracket to the back wall so that it is 84" (or your installation height) from the floor. Use #12 or #14 wood screws and penetrate at least 1-inch into vertical wall studs. Note: Alternative securing method will need to be used if wall studs are metal. Refer to installation instructions.

ANTI-TIP BRACKET



CUSTOM SIDE PANELS



- D** When the refrigerator is installed under a soffit, if there is not enough height for the anti-tip bracket method of security, or if there are metal wall studs, brackets cannot be used. Refer to installation instructions for information on securing refrigerator to adjacent cabinetry or soffit.
- F** Side panels must be used whenever the sides of the refrigerator will be exposed. The 1/4" side panels will slip into the side case trim. Secure the panels to the refrigerator with stick-on hook and loop fastener strips. Order the side panels from the cabinet manufacturer.

FEATURES AND BENEFITS

French-door design gives your wide-open access to every fresh food shelf and bin.

Extra-deep glass door bins with riveted metal accents offer easy access to beverages and quick-grab items.

Upfront electronic controls with digital readout offer a range of precise temperature settings, all within easy reach.

Large full-extension freezer drawer has storage bins that slide out independently of one another for easy loading and unloading. An automatic icemaker keeps plenty of filtered ice on hand.

Glass front produce and deli drawers with full-extension, soft-close slides.

Aluminum trimmed glass shelves allow convenient access to contents in the fresh-food compartment.

