

MONOGRAM HOME

A G E M O N O G R A M P U B L I C A T I O N



what's new in refrigeration
the beauty of design essentials



Simple, elegant styling. Beautiful possibilities.

The new Monogram® refrigerators reflect beautifully today's kitchen aesthetic, both in terms of overall appearance and fine details. Look closely and you'll find that Monogram is elegance — pure and simple.

But there's more to Monogram refrigerators than meets the eye. Beneath the surface of each model lie a number of thoughtful features and life-enhancing innovations.

Lift the overhead panel on a Monogram side-by-side refrigerator and discover what the nation's finest restaurants already know about food preservation. Like commercial refrigerators, the Monogram side-by-side uses an overhead evaporator located outside the food zones. The unique configuration of the evaporator enhances airflow, capacity and efficiency.

Monogram refrigerators come in a selection of styles. Make a statement with the sleek sophistication of the stainless steel wrap model. Or, install custom door panels, letting the refrigerator disappear into the woodwork as it integrates quietly and beautifully with color schemes and custom cabinetry.





ZISS480DMSS 48" stainless steel wrapped side-by-side



ZISB480DM 48" side-by-side with framed panels and standard handles



ZISB480DM 48" side-by-side with overlay panels and custom handles



The beveled edges and concealed hinges reflect Monogram craftsmanship.

Rich materials, uniquely applied.

When you choose GE Monogram®, you can expect superior materials, beautiful details and outstanding performance. Monogram designers perfect every detail to meet your highest expectations.

Seamless corners and concealed door hinges don't interrupt the overall design of the refrigerator. Brushed, stainless-steel provides a rich appearance, and sleek glass-touch controls feel as good as they look.

Finishing touches such as clear Lexan® and subtle, frosted curves are Monogram refrigeration signatures.



Intuitive. Interactive. Invisible.

Now you see them, now you don't. The electronic controls on the new Monogram® side-by-side refrigerator dispenser are truly interactive. Activated by a unique proximity sensor that senses your presence, the bright icons of the controls light up as you approach the dispenser, and switch off automatically when you walk away.

The glass-touch dispenser provides you with refreshing, filtered GE SmartWater.™ Enjoy it chilled, or select cubed or crushed ice. Glass-touch controls are as attractive and practical as they are pleasing to the touch. There are no levers or buttons and no complicated instructions to follow.



The convenient extra-tall dispenser accommodates oversized containers such as pitchers, sport bottles and coffee pots.

When you walk away from the refrigerator, the lighted graphics simply vanish.





The dispenser with proximity sensor is an example of Monogram design principles – simple styling, ergonomic function, thoughtful innovation.

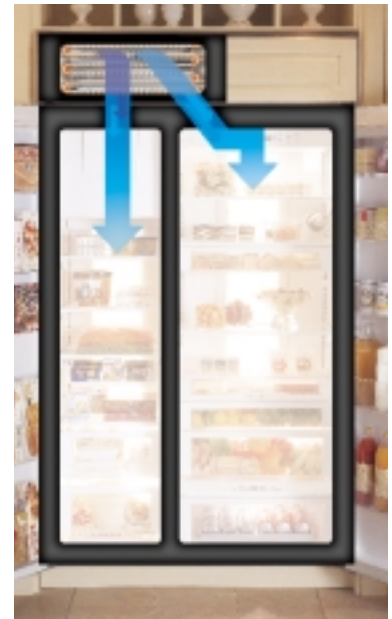
Commercial design. Residential conveniences.

Like commercial refrigerators, GE Monogram® side-by-side refrigerators use an overhead evaporator located outside the fresh food and freezer compartments. The unique configuration of the evaporator allows independent airflow for each compartment without any

direct air exchange. It also makes Monogram built-in side-by-side refrigerators the most spacious and energy efficient available.

The adjustable storage system allows you to get the most out of your interior space. The flexible system makes fresh food storage sensible and simple with four specialized drawers, including a sealed deli pan that can be positioned at various heights. Temperature controls on the climate control drawer, along with humidity settings on the produce pan, let you customize food environments for optimal preservation. And full-extension slides allow easy access to all contents.

A broad column of halogen light extends the length of the back walls of both the fresh food and freezer compartments, providing excellent visibility. You'll never lose sight of those little jars again.



An overhead evaporator provides direct airflow to each compartment, maximizes storage capacity and optimizes energy efficiency.



Adjustable, tempered-glass shelves provide plenty of room for whatever you're storing. Each shelf and each pan is bathed in light, so every item is fully illuminated.



CLIMATE CONTROL DRAWER

30

Lowest Temp

Climate protection sensor

Warm Thaw

15 min
30 min
45 min

Warm Thaw

15 min
30 min
45 min

Warm Thaw

The climate control drawer lets you chill wine and other beverages in minutes. You can also use it to set custards, cream pies or cheesecakes.

Perfect control. A matter of degree.

The Monogram® refrigerator lets you select different environments for the various foods on the shelves and in the drawers. Once you select a specific environment, this GE Monogram refrigerator maintains that environment with extraordinary precision.

Sophisticated technology keeps foods fresher longer and performs

an array of practical functions – from chilling to thawing to defrosting only when necessary.

To keep food viable longer, five strategically located sensors monitor temperatures and maintain optimum cooling levels throughout the fresh food and freezer compartments. An exclusive air tower is hidden behind

the column of light where it is perfectly positioned to deliver fresh, cool air to every individual shelf and every storage drawer from floor to ceiling.

The climate control drawer functions like a refrigerator within the refrigerator. Precise controls allow you to chill or thaw quickly for spontaneous entertaining.



Monogram's adjustable humidity pan lets you maintain the moisture content that best preserves vegetables and certain fruits.



The innovative material of the tray maintains the temperature from the climate control drawer, allowing you to serve foods at their ideal temperature, beautifully.

Environmentally correct from sushi to chardonnay.

Equipped with individual controls and its own thermistor, the climate control drawer gives you three options.

First, it allows you to select specific temperatures for exotic foods that are particularly temperature sensitive.

Then, with just one touch of the controls, this sealed refrigeration compartment lets you express

chill wine and other beverages in minutes rather than hours. It also lets you express chill sushi and other specialty foods.

The express thaw setting gives you yet another option. It thaws meats, poultry and seafood in hours instead of days. You can take a rib roast from the freezer in the morning and safely thaw it for dinner that night.

Chill room-temperature wine in a matter of minutes for an impromptu evening.



Eye-level beauty, creative inner space.

The convenient configuration of the Monogram® bottom-freezer refrigerator is the perfect choice for households with a fresh-food focus. The eye-level accessibility of the fresh food compartment eliminates stooping and bending for everyday items.

Outside, beautifully designed beveled edges and new concealed hinges exemplify Monogram's concept of simplicity as style. Inside, brilliant lighting in both the fresh food compartment and the freezer drawer lets you enjoy a full view of everything.

Versatile storage options offer an array of features for preserving freshness. Tempered-glass shelves are spill-proof and adjust to handle foods and containers of different sizes. Sealed deli pans and vegetable bins with adjustable humidity control help foods stay fresher.



ZICS360NMLH 36" stainless steel wrapped bottom-freezer



Two of these models installed side by side create a thoroughly versatile refrigeration center.
ZIC360NMLH (left) ZIC360NMRH (right) 36" bottom-freezer with overlay panels, custom handles and unified grille kit.

A paradigm of convenience.

The functional design of the Monogram® bottom-freezer is evident in the selection of storage spaces and features dedicated to preserving a variety of foods.

The temperature management system with upfront, electronic controls delivers cool, fresh air to

every shelf. Digital readouts tell you at a glance the temperatures maintained in the fresh food and freezer compartments.

The large freezer drawer is designed for ease of use and convenience. Two full-width wire baskets provide maximum stability,

even when stocked with items as heavy as a smoked turkey or a glazed ham.

Even the automatic icemaker has been thoughtfully equipped with filtered GE SmartWater™ for fresh-tasting ice cubes that please the most discriminating palate.



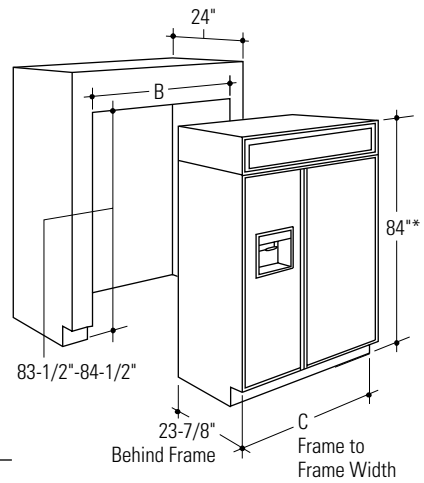
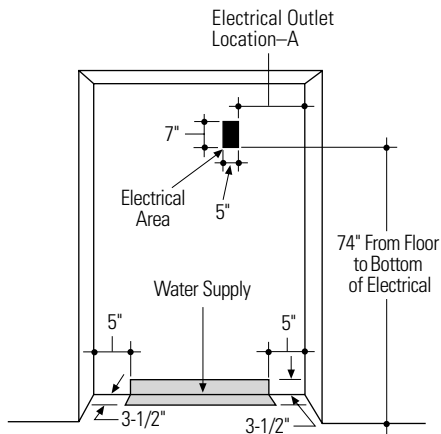
Freezer baskets glide out smoothly on independent, full-extension Accuride® slides, so there's no sticking or wobbling.



Two sealed deli pans offer ample room for meats, cheeses and other items that need airtight storage. The two lower bins offer adjustable humidity settings for fruits and vegetables.

Side-by-Side Refrigerators

ZISW480DM, ZISB480DM, ZISS480DMSS, ZIS480NM, ZISS480NMSS, ZISW420DM, ZISB420DM, ZISS420DMSS, ZIS420NM, ZISS420NMSS, ZISW360DM, ZISB360DM, ZISS360DMSS, ZIS360NM and ZISS360NMSS



Side-by-Side	A	B	C
48" wide models	20"	47-1/2"	48"
42" wide models	18"	41-1/2"	42"
36" wide models	12"	35-1/2"	36"

*Shipped at 84" installation height. Grille panel supplied is sized for 84" installation height. Grille panels can be adjusted for 83-1/2" to 84-1/2" installation heights using height adjustment kit.



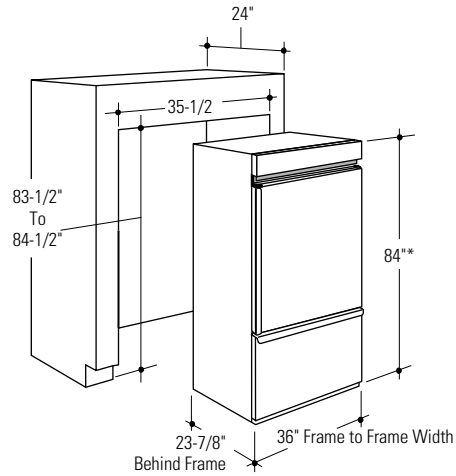
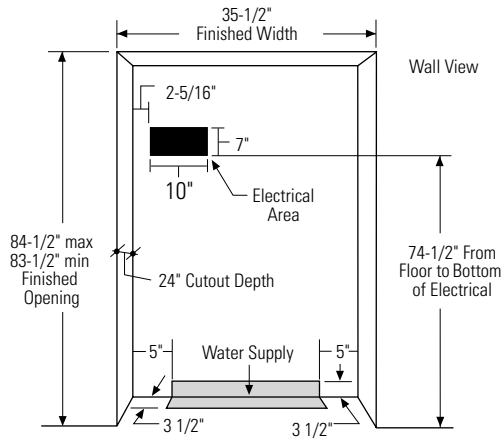
Side-by-Side Refrigerators

	ZISW480DM* ZISB480DM* ZISS480DMSS**	ZIS480NM* ZISS480NMSS**	ZISW420DM* ZISB420DM* ZISS420DMSS**	ZIS420NM* ZISS420NMSS**	ZISW360DM* ZISB360DM* ZISS360DMSS**	ZIS360NM* ZISS360NMSS**
Description	48" Built-In Refrigerator with Dispenser	48" Built-In Refrigerator	42" Built-In Refrigerator with Dispenser	42" Built-In Refrigerator	36" Built-In Refrigerator with Dispenser	36" Built-In Refrigerator
Capacity						
Total (cu. ft.)	30.7	30.6	26.1	26.0	21.7	21.6
Fresh Food Section						
Upfront Electronic Controls with Digital Readouts	•	•	•	•	•	•
Multi-Shelf Halogen Light Tower	•	•	•	•	•	•
Multi-Shelf Air Management Tower	•	•	•	•	•	•
Clear Lexan™ Bins and Pans	•	•	•	•	•	•
Climate Control Drawer w/Express Chill, Express Thaw, Select Temp	•	•	•	•	•	•
Sealed Adjustable Humidity Produce Pan w/Easy Access Lid and Full Extension Slides	•	•	•	•	•	•
High Humidity Sealed Produce Pan with Full Extension Slides	•	•	•	•	•	•
Adjustable Sealed Deli Pan with Full Extension Slides	•	•	•	•	•	•
Spill-Proof Glass Shelves	3 Adj./1 Fixed	3 Adj./1 Fixed	3 Adj./1 Fixed	3 Adj./1 Fixed	3 Adj./1 Fixed	3 Adj./1 Fixed
Adjustable Door Bins	4	4	4	4	4	4
Gallon Door Storage	•	•	•	•	•	•
Sealed Dairy Compartment	2	2	2	2	1	1
Glass-Covered Butter Dish, Wine Caddy, Egg Bin	•	•	•	•	•	•
Freezer Section						
Multi-Shelf Halogen Light Tower	•	•	•	•	•	•
Utility Baskets with Full Extension Slides	2	2	2	2	2	2
Adjustable Wire Shelves	4	4	4	4	4	4
Slide-Out Can Rack	•	•	•	•	•	•
Adjustable Door Bins	3	5	3	5	3	5
Automatic Icemaker	•	•	•	•	•	•
Removable Ice Storage Bin	•	•	•	•	•	•
General Features						
ENERGY STAR® Qualified	•		•		•	
Disappearing Electronic Glass Touch Dispenser Controls w/Proximity Sensors	•		•		•	
Extra-Tall Dispenser w/Cubes, Crushed Ice and Chilled Water	•		•		•	
GE SmartWater™ Filtration System for Water and Ice	•	•	•	•	•	•
Industry Standard Flush Installation	•	•	•	•	•	•
Concealed Door Hinge	•	•	•	•	•	•
Easy Access Hinged Grille	•	•	•	•	•	•
Master Light Control Switch	•	•	•	•	•	•
Four-Point Leveling System	•	•	•	•	•	•
Adjustable Door Stop (90°/130°)	•	•	•	•	•	•
Dispenser Color(s)	White Black Black	N/A	White Black Black	N/A	White Black Black	N/A
Steel Toekick Color(s)	White Black Stainless Steel	Black Stainless Steel	White Black Stainless Steel	Black Stainless Steel	White Black Stainless Steel	Black Stainless Steel
115 Volts/20 Amps	•	•	•	•	•	•
Overall Dimensions (WxHxD in inches)	48 x 84 x 23-7/8	48 x 84 x 23-7/8	42 x 84 x 23-7/8	42 x 84 x 23-7/8	36 x 84 x 23-7/8	36 x 84 x 23-7/8
Approx. Shipping Weight (lbs.)	625	625	580	580	520	520
Full Warranty†	2-Year	2-Year	2-Year	2-Year	2-Year	2-Year
Full Warranty on Sealed Refrigeration System†	5-Year	5-Year	5-Year	5-Year	5-Year	5-Year
Limited Warranty on Sealed System Parts†	12-Year	12-Year	12-Year	12-Year	12-Year	12-Year
Limited Warranty on Full Extension Slides†	Lifetime	Lifetime	Lifetime	Lifetime	Lifetime	Lifetime

*Door panels required. Accepts 1/4" framed panels or 3/4" overlay panels.
**Full stainless wrap.
†See written warranty for details.

Bottom-Freezer Refrigerators

ZIC360NMRH, ZIC360NMLH, ZICS360NMRH and ZICS360NMLH



Bottom-Freezer	A	B	C
36" wide models	22-5/8"	35-1/2"	36"

*Shipped at 84" installation height. Grille panel supplied is sized for 84" installation height. Grille panels can be adjusted for 83-1/2" to 84-1/2" installation heights using height adjustment kit.

Note: ZIC360NMLH, ZICS360NMLH models have hinges on the left side and the door swings from right to left. ZIC360NMRH, ZICS360NMRH models have hinges on the right side and door swings from left to right.

Bottom-Freezer Refrigerators

	ZIC360NMRH* ZIC360NMLH*	ZICS360NMRH** ZICS360NMLH**
Description		
	36" Built-In Refrigerator	36" Built-In Stainless Steel Refrigerator
Capacity		
Total (cu. ft.)	20.6	20.6
Fresh Food Section		
Upfront Electronic Controls w/Digital Readouts	•	•
Multi-Shelf Air Management Tower	•	•
Sealed Adjustable Humidity Produce Pans w/ Easy Access Lids and Full Extension Slides	2	2
Sealed Deli Pan with Full Extension Slides	2	2
Spill-Proof Glass Shelves	4 Adj./1 Fixed	4 Adj./1 Fixed
Adjustable Door Bins	6	6
Gallon Door Storage	•	•
Sealed Dairy Compartment	2	2
Glass-Covered Butter Dish	•	•
Wine Caddy	•	•
Egg Bin	•	•
Freezer Section		
Freezer Drawer with Full Extension Slides	•	•
Independent Utility Basket with Full Extension Slides	•	•
Automatic Ice maker	•	•
Removable Ice Storage Bin	•	•
GE SmartWater™ Filtration System	•	•
General Features		
Industry Standard Flush Installation	•	•
Concealed Door Hinge	•	•
Easy Access Hinged Grille	•	•
Master Light Control Switch	•	•
Four-Point Leveling System	•	•
Adjustable Door Stop (90°/130°)	•	•
Steel Toekick Color	Black	Stainless Steel
115 Volts/20 Amps	•	•
Overall Dimensions (WxHxD in inches)	36 x 84 x 23-7/8	36 x 84 x 23-7/8
Approx. Shipping Weight (lbs.)	520	520
Full Warranty†	2-Year	2-Year
Full Warranty on Sealed Refrigeration System†	5-Year	5-Year
Limited Warranty on Sealed System Parts†	12-Year	12-Year
Limited Warranty on Full Extension Slides†	Lifetime	Lifetime

*Door panels required. Accepts 1/4" framed panels or 3/4" overlay panels.
 **Full stainless wrap.
 †See written warranty for details.



Custom Options for Refrigerators

48" Side-by-Side Refrigerators

Models			
	ZISW480DM	ZISB480DM	ZIS480NM
Stainless Steel Tubular Handles	ZKHSS2	ZKHSS2	ZKHSS2
1/4" Black Acrylic Panels		ZPB480D	ZPB480N
1/4" White Acrylic Panels	ZPW480D		ZPW480N
1/4" Stainless Steel Panels	ZPS480D	ZPS480D	ZPS480N

42" Side-by-Side Refrigerators

Models			
	ZISW420DM	ZISB420DM	ZIS420NM
Stainless Steel Tubular Handles	ZKHSS2	ZKHSS2	ZKHSS2
1/4" Black Acrylic Panels		ZPB420D	ZPB420N
1/4" White Acrylic Panels	ZPW420D		ZPW420N
1/4" Stainless Steel Panels	ZPS420D	ZPS420D	ZPS420N

36" Side-by-Side Refrigerators

Models			
	ZISW360DM	ZISB360DM	ZIS360NM
Stainless Steel Tubular Handles	ZKHSS2	ZKHSS2	ZKHSS2
1/4" Black Acrylic Panels		ZPB360D	ZPB360N
1/4" White Acrylic Panels	ZPW360D		ZPW360N
1/4" Stainless Steel Panels	ZPS360D	ZPS360D	ZPS360N

36" Bottom-Freezer Refrigerators

Models				
	ZIC360NMRH	ZIC360NMLH	ZICS360NMRH	ZICS360NMLH
Stainless Steel Tubular Handles	ZKHCSS2	ZKHCSS2		
Unified Grille Kit	ZUG2	ZUG2	ZUGSS2	ZUGSS2
1/4" Black Acrylic Panels	ZPBC360	ZPBC360		
1/4" White Acrylic Panels	ZPWC360	ZPWC360		
1/4" Stainless Steel Panels	ZPSC360	ZPSC360		

Glossary of Terms

Stainless steel, white or black panels. Factory-installed trim will accept 1/4"-thick accessory panels which are cut to size and ready to install. These panels must be ordered separately.

Tubular stainless steel handles. Monogram stainless steel tubular handles can be used with 1/4"- or 3/4"-thick panels.

Unified grille panel kit. An optional grille panel creates a unified look above two units placed side by side.



Decisions. Decisions. Decisions.



Choosing a refrigerator can be a monumental decision. With so many beautiful possibilities, how do you decide? Monogram® offers additional refrigeration products for the kitchen and throughout the home, including built-in

fully wrapped stainless steel free-standing models, versatile wine chillers, convenient beverage centers and icemakers. To see the complete selection of refrigerators and the entire GE Monogram Collection™, please visit us at Monogram.com.



EXCEPTIONAL SERVICE IS A MONOGRAM STANDARD.

Monogram® offers a feature no other brand can match: customized services that begin before you've selected your appliances and continue until well after your Monogram home has become a reality. The Monogram Collection™, a superb line of kitchen appliances with a package of services to match.

Visit Monogram.com. View Monogram product information, specifications, installation instructions and owner's manuals online.

Monogram Customer Service, 800.444.1845. If your Monogram appliance ever requires service, you can depend on Monogram Customer Service. Simply call, 8 a.m.-8 p.m. EST, Monday - Friday and 9 a.m.-4 p.m. EST, Saturday and a specialist will promptly coordinate an appointment.

GE QuickSpecs, 800.432.3729. Request dimensions and specifications on any Monogram appliance and have the data transmitted, within minutes, to the fax number you provide.

GE Answer Center®, 800.626.2000. For technical assistance and answers to your questions about Monogram appliances any time.

Acknowledgements. Monogram thanks the following fine companies for their generous contributions to the "California Chic" kitchen (pages 6-13).
Wood-Mode® Fine Custom Cabinetry, 800-635-7500, www.wood-mode.com
Andersen® Windows, 888-888-7020, www.andersenwindows.com
Ann Sacks® Tile & Stone, Inc., 800-278-8453, www.annsacks.com
Kallista® Inc. (*island sink and faucet*), 888-452-5547, www.kallistainc.com
Chicago Faucet Co. (*pot filler faucet*), 847-803-5000, www.chicagofaucets.com



Monogram®

We bring good things to life.

As an ENERGY STAR® partner, GE has determined that this product meets the ENERGY STAR guidelines for energy efficiency.

*General Electric Company
Louisville, Kentucky 40225*

All Monogram products are appropriately UL or AGA approved.

Product improvement is a continuing endeavor at General Electric. Therefore, materials, appearance and specifications are subject to change without notice.

Publication Number 24-M071-1

© 2002 General Electric Company